



AERONAUTICAL ACCESSORIES, INC.

P.O. BOX 3689 BRISTOL, TENNESSEE 37625-3689 USA
TELEPHONE: 423-538-5151 TOLL FREE: 800-251-7094
TELEFAX: 423-538-8469 E-MAIL: sales@aero-access.com

TECHNICAL BULLETIN TB No. AA-06036

SUBJECT: Egress Tool Kit
P/N 099-845-001

MODELS AFFECTED: Bell Helicopter Textron Model 206A, 206B, 206L, 206L-1, 206L-3, 206L-4, 407, 427 and OH-58 Helicopters with Aeronautical Accessories, Inc. Flitestep[®] Kit or Floatstep[™] Kit installed in accordance with STC SH1322SO, SR01410AT, SR01602AT, SR2196AT as applicable.

COMPLIANCE: Compliance with this bulletin is Customer's option. Aeronautical Accessories, Inc. recommends incorporation of this modification no later than aircraft's next regularly scheduled Annual Inspection following receipt of this Bulletin.

DESCRIPTION: This Technical Bulletin is being issued to address the potential for the Flitestep[®] or Floatstep[™] to impede egress from the aircraft following a severe landing event resulting in damage to aircraft landing gear.

FAA/DER APPROVAL: The engineering design data represented by this Alert Service Bulletin complies with applicable Federal Aviation Regulations and is FAA approved.

MANPOWER: Approximately 2.0 hours.

IF OWNERSHIP OF AIRCRAFT HAS CHANGED, PLEASE FORWARD THIS BULLETIN TO NEW OWNER

MATERIAL:

The following materials are required to comply with this bulletin:

099-845-001 Egress Tool Kit

Qty	Part Number	Description
1	099-845-101	Egress Tool Assembly
2	099-845-103	Spacer Assembly
2	099-845-123	Clamp
2	MS21059L3	Nut Plate
4	CCR264SS-3-2	Rivet
2	MS27039-1-08	Screw
2	MS27039-1-10	Screw
2	NAS1149D0332K	Washer

This kit is available from Aeronautical Accessories, Inc.
Contact AAI Sales Department at 1-800-251-7094.

REQUIRED TOOLS:

No special tools required

WEIGHT AND BALANCE:

Net weight change per Egress Tool Kit:

+0.55 lbs (+0.25 kg)

ELECTRICAL LOAD DATA:

Not affected

PUBLICATIONS AFFECTED:

Installation Instructions:

AA-90049, AA-90050, AA-90060, AA-91013, AA-91028, AA-91029, AA-93024,
AA-95090, AA-95091, AA-97091, AA-98150, AA-00011

Instructions for Continued Airworthiness:

AA-98049, AA-99069, AA-01160, AA-01161, AA-01162.

Any questions regarding this bulletin should be addressed to:

AERONAUTICAL ACCESSORIES, INC.

P.O. Box 3689

Bristol, TN 37625-3689

PRODUCT SUPPORT

1-800-251-7094

AERONAUTICAL ACCESSORIES, INC.

PART I – ACCOMPLISHMENT INSTRUCTIONS**NOTE**

Locate Egress Tool for best fit and function. Tool should be readily accessible to pilot. Egress Tool requires 3 AAA batteries for power.

1. Determine installation location and, if aircraft is equipped with interior trim, remove interior trim at installation location.
2. Locate and drill holes in aircraft structure and trim, if applicable, as shown in Figure 1.
3. Install Nut Plate (MS21059L3) using Rivets (CCR264SS-3-2) at each location.

Aircraft Not Equipped With Interior Trim.

1. Assemble as shown in Figure 2, using Spacer Assemblies (099-845-103), Clamps (099-845-123), Washers (NAS1149D0332K) and Screws (MS27039-1-08).
2. Torque Screws (MS27039-1-08) 20 – 25 in-lbs.
3. Insert Egress Tool (099-845-101) into Clamps (099-845-123).
4. Modification complete.

Aircraft Equipped with Interior Trim with foam backing.

1. Assemble Foam Backing and Spacer Assemblies (099-845-103) as shown in Figure 3.
2. Reinstall removed interior trim.
3. Assemble Clamps (099-845-123), Washers (NAS1149D0332K) and Screws (MS27039-1-10).
4. Torque Screws (MS27039-1-10) 20 – 25 in-lbs.
5. Insert Egress Tool (099-845-101) into Clamps (099-845-123).
6. Modification complete.

Aircraft Equipped with Interior Trim without foam backing.

1. Reinstall removed interior trim.
2. Assemble as shown in Figure 4 using Spacer Assemblies (099-845-103) and Clamps (099-845-123), Washers (NAS1149D0332K) and Screws (MS27039-1-10).
3. Torque Screws (MS27039-1-10) 20 – 25 in-lbs.
4. Insert Egress Tool (099-845-101) into Clamps (099-845-123).
5. Modification complete.

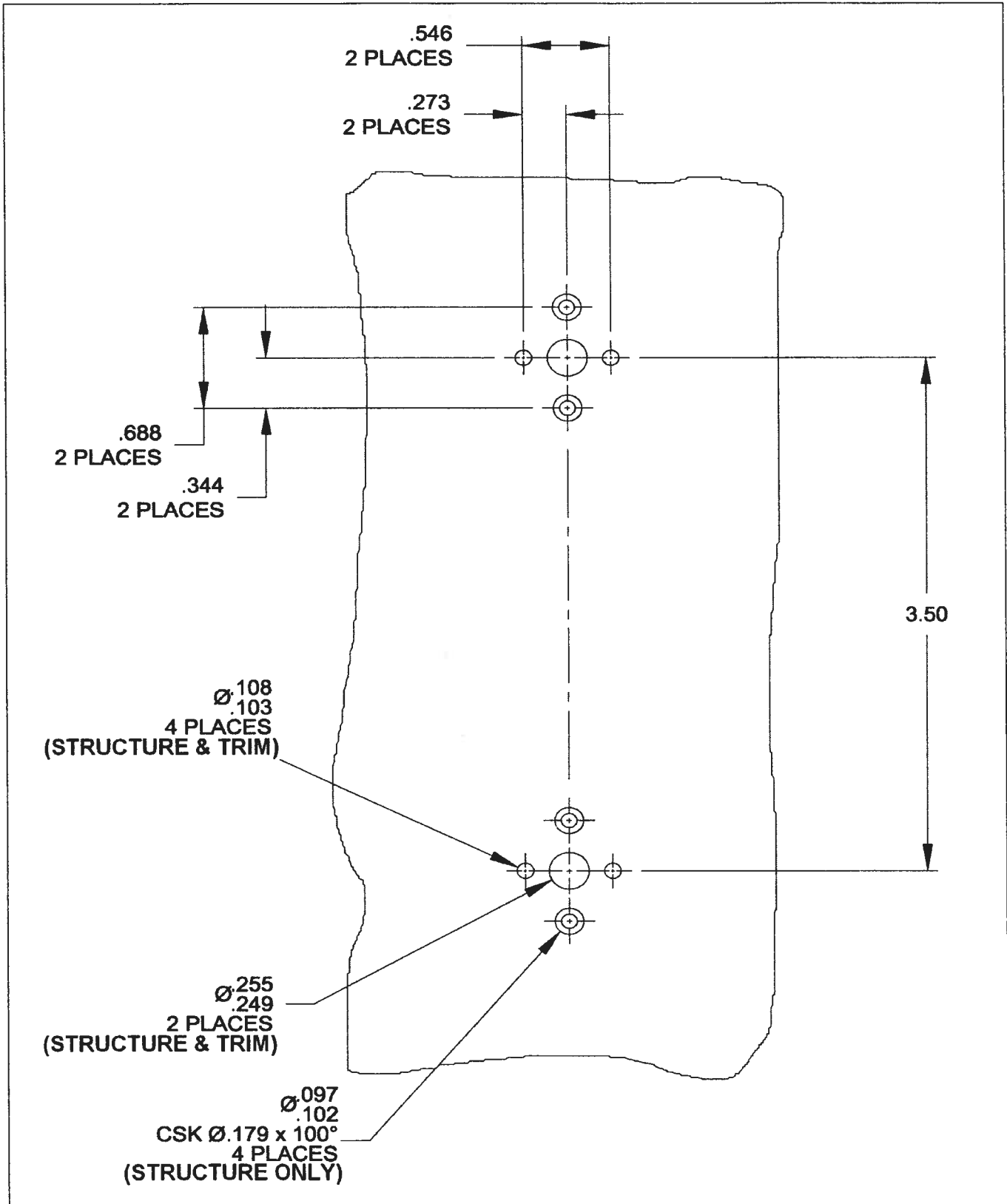


FIGURE 1 – EGRESS TOOL MOUNTING HOLE PATTERN

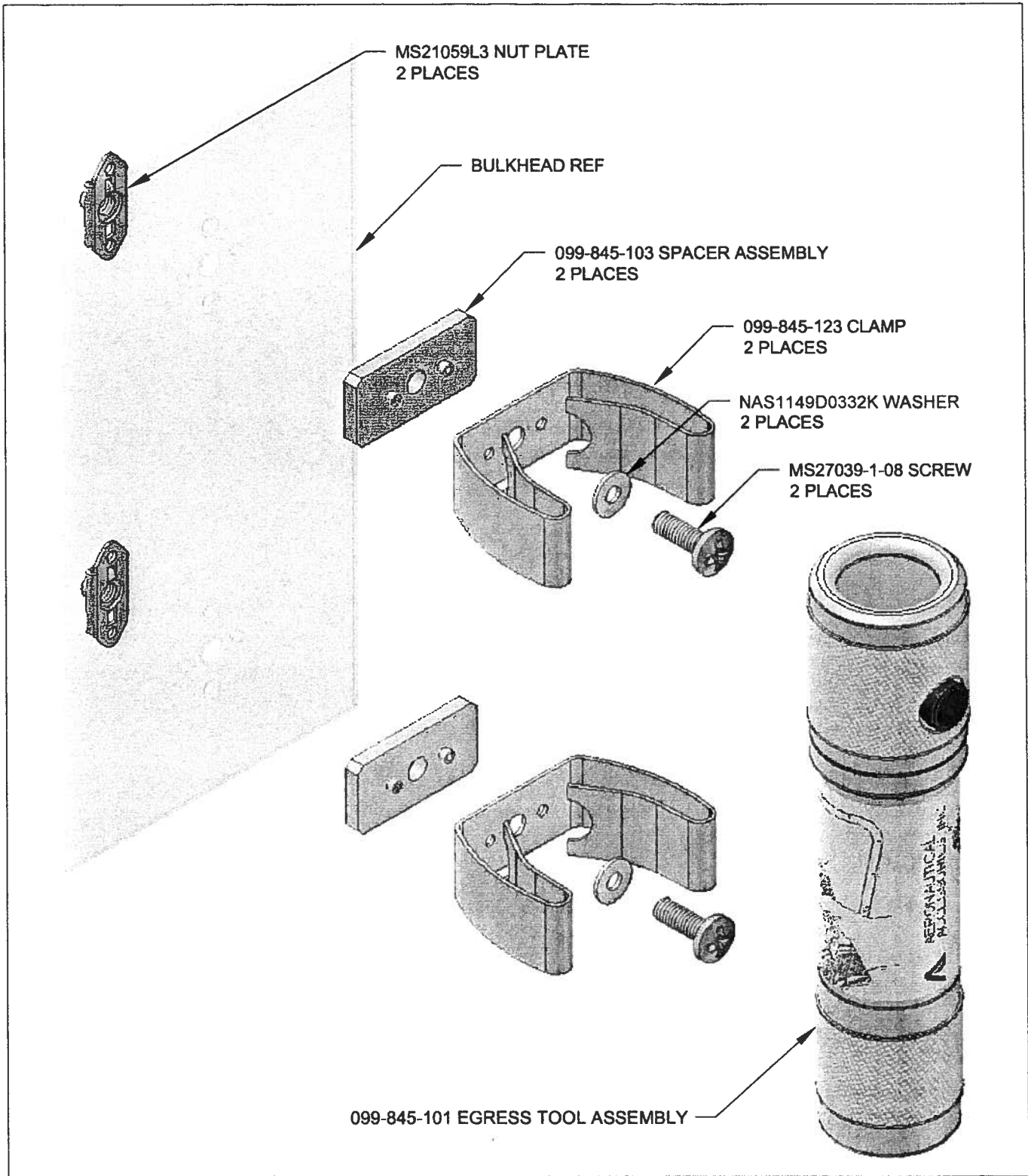
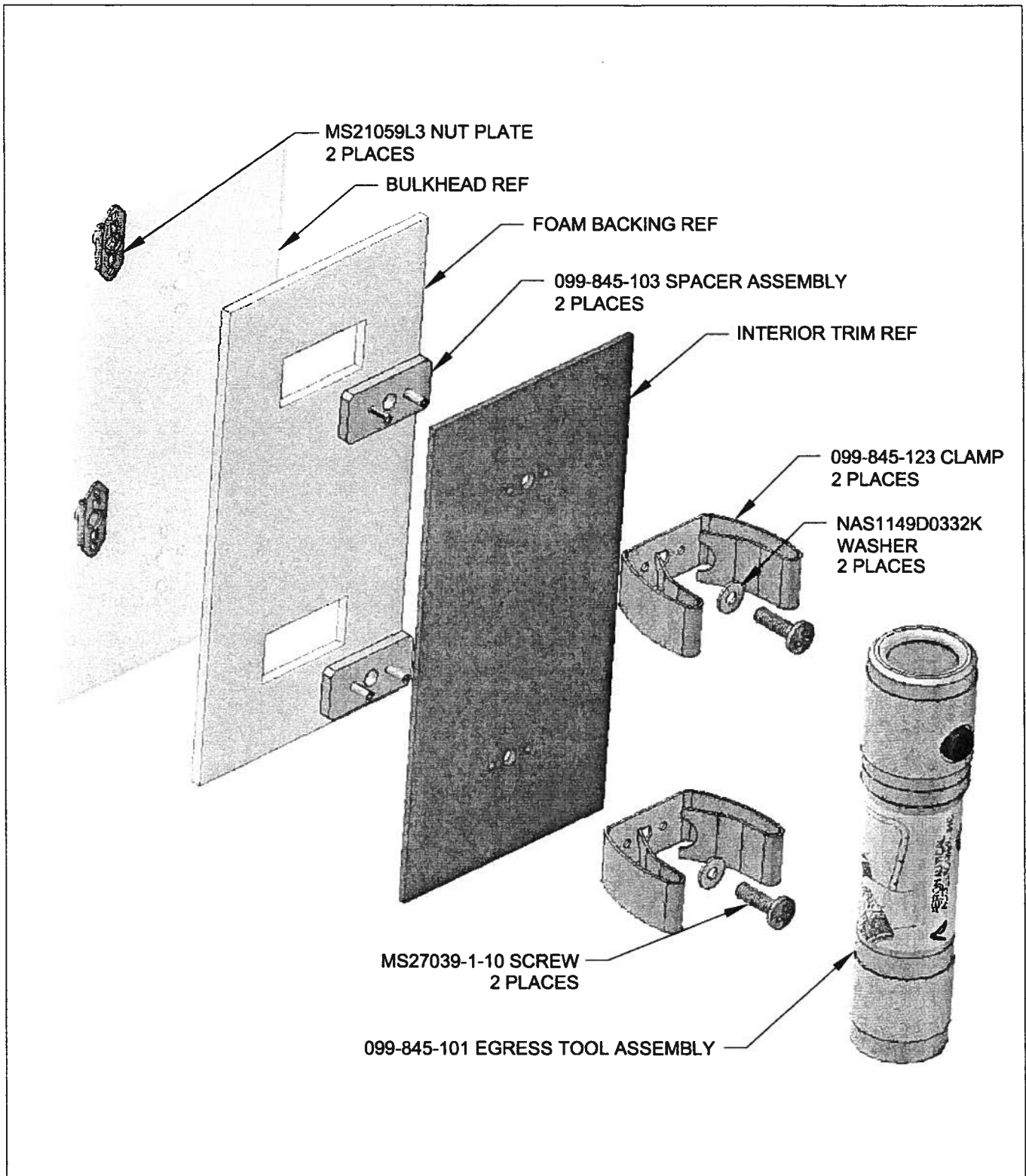
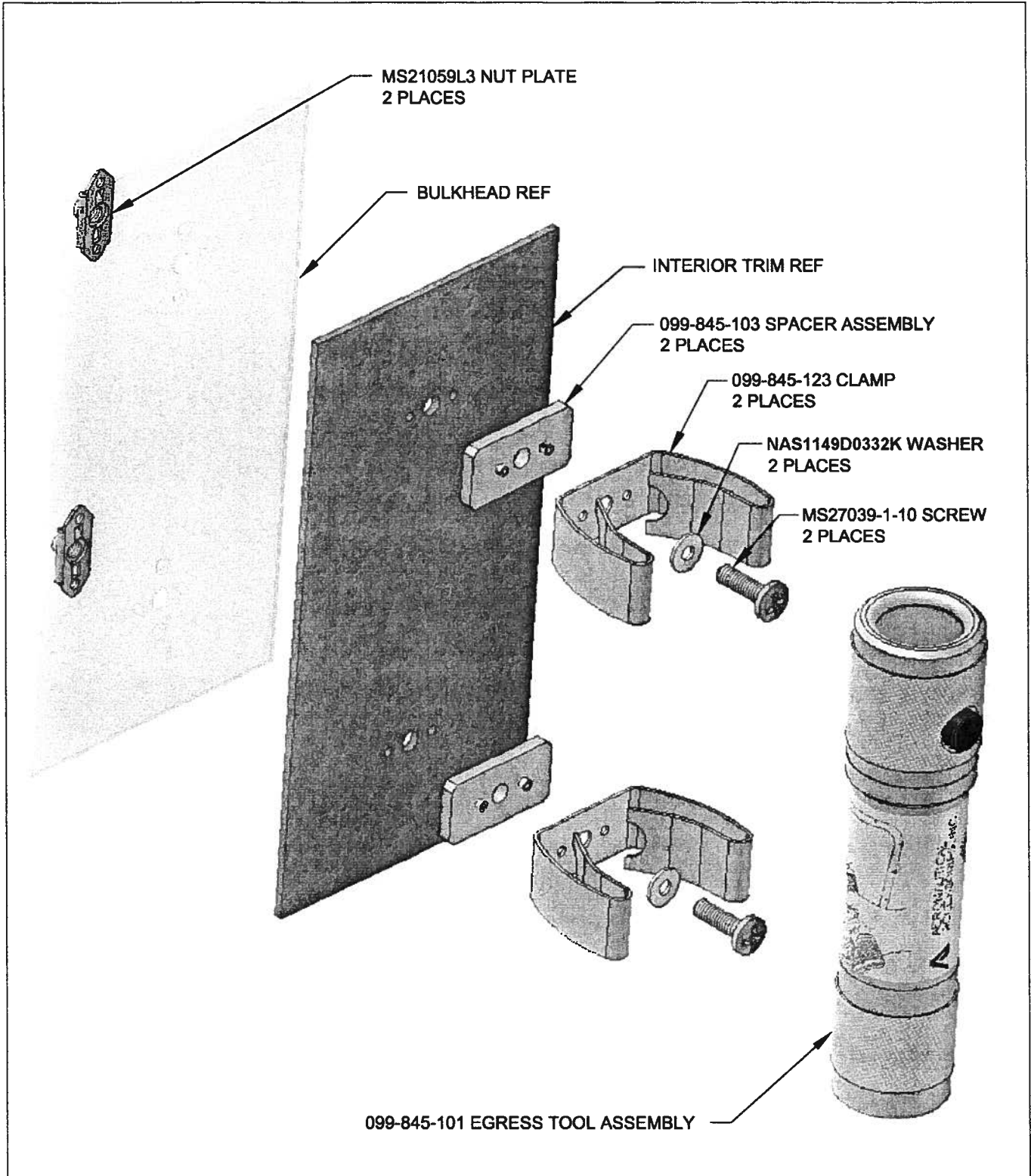


FIGURE 2 – EGRESS TOOL INSTALLATION (AIRCRAFT W/O INTERIOR TRIM)



**FIGURE 3 – EGRESS TOOL INSTALLATION
(AIRCRAFT W/ INTERIOR TRIM W/ FOAM BACKING)**



**FIGURE 4 – EGRESS TOOL INSTALLATION
(AIRCRAFT W/ INTERIOR TRIM W/O FOAM BACKING)**