



# BELL 412 HEC HOIST

## A NEW SOLUTION FOR YOUR RESCUE OR UTILITY MISSION

We continue to expand our aftermarket options with a new Human External Cargo (HEC) Hoist for your Bell 412EP, Bell 412EPI, and Bell 412EPX.

**THE NEW BELL 412 HEC HOIST MEETS HUMAN EXTERNAL CARGO SPECIFICATIONS AND FEATURES THE FOLLOWING IMPROVEMENTS AND PERFORMANCE ENHANCEMENTS**

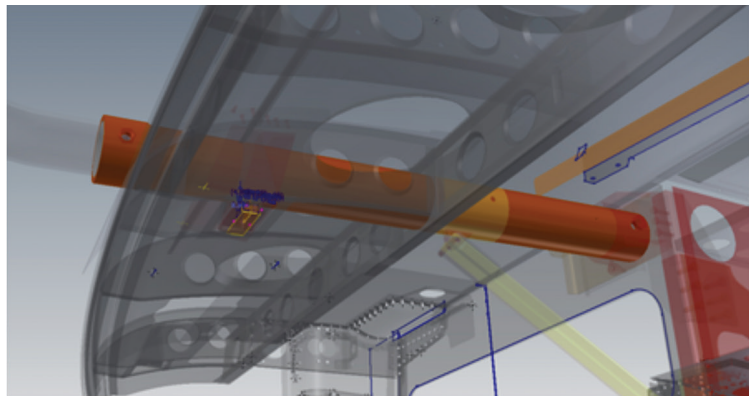
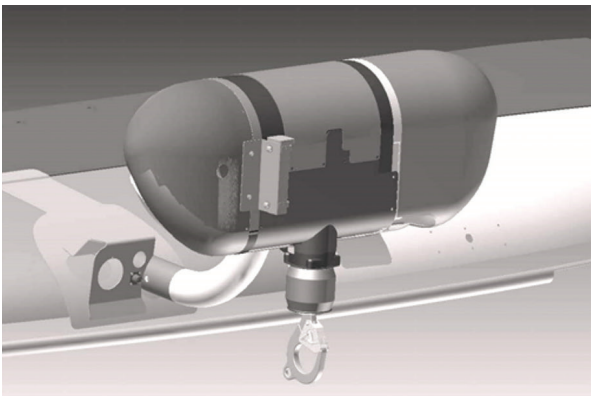
- Allows flight with suspended load
- Meets Part 29 HEC requirements
- New High Performance Clutch (Negates Airworthiness Directive)
- Cockpit display unit and pendant annunciations
- Improved backup Quick Release System (QRS)
- Compatible with additional Aeronautical Accessories optional equipment:
  - Camera
  - Auxiliary light
- Higher speed at full load 200 fpm
- Max lift load 600 pounds (HEC)



A Bell Brand

# COMPARISON OF HEC HOIST SPECIFICATIONS AND PERFORMANCE TO EXISTING HOISTS IN THE MARKET

General Specifications	Existing Rescue Hoists	New HEC Hoist
Max Lift Load	600 lb max load limited with temperature (ASB 44301-10-18)	600 lb max – no limits (improved new high performance clutch negates ASB)
Cockpit Display Unit (DU) Annunciations	No cockpit display unit (DU) annunciations	Cockpit Display Unit (DU) and pendant annunciations
Human External Cargo (HEC) Requirement	Non HEC primary Quick Release System (QRS)	Meets Part 29 HEC requirements
Backup Quick Release System (QRS)	Standard backup QRS	Improved backup QRS
Optional Equipment Kits	No optional equipment kits	Additional optional kits (camera, auxillary light)
Raising Speed	Full load speed 150 feet per minute (fpm)	Higher speed at full load 200 feet per minute (fpm)
Lowering Speed	Lowering speed 275 fpm	Lowering speed 260 fpm
Suspended Load	Hover only with suspended load	Limited forward flight with suspended load
Clutch Overhaul Time	Every 55 hours / 1,666 cycles / 60 months	Every 111 hours / 3,333 cycles / 120 months



## THE NEW HEC HOIST KIT INCLUDES

### HOIST MOTOR

- Collins (Goodrich) Hoist Motor
- High performance clutch
- 290 foot cable

### STRUCTURAL PROVISIONS

- Meets load and structural requirements of Part 29 Aircraft
- Easy removal of the hoist motor for operations where it is not required

### ELECTRICAL PROVISIONS

- Cockpit and pendant annunciations
- Updated primary quick release system (cable cut)

▶ FOR MORE INFORMATION OR TO ASSIST WITH YOUR UPGRADE PLANNING

[www.aero-access.com](http://www.aero-access.com), or contact your Aeronautical Accessories Sales representative at 800-251-7094 or [sales@aero-access.com](mailto:sales@aero-access.com)